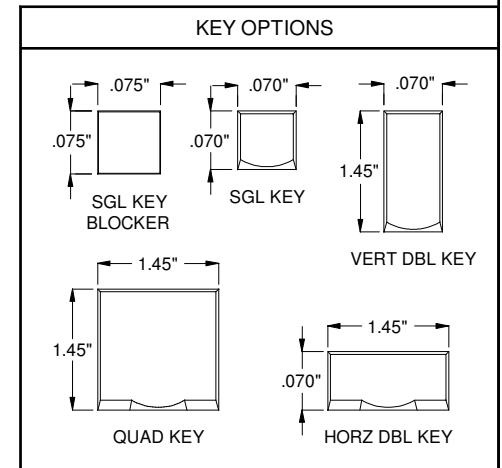
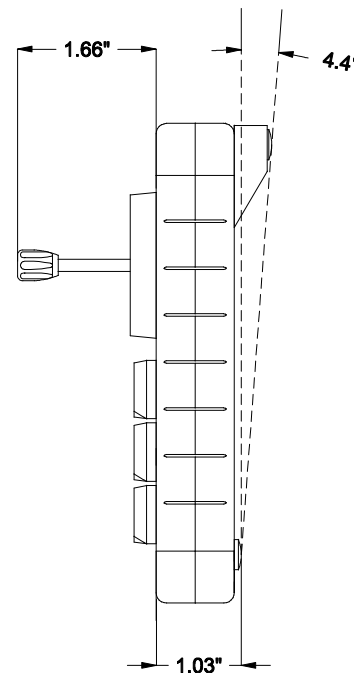
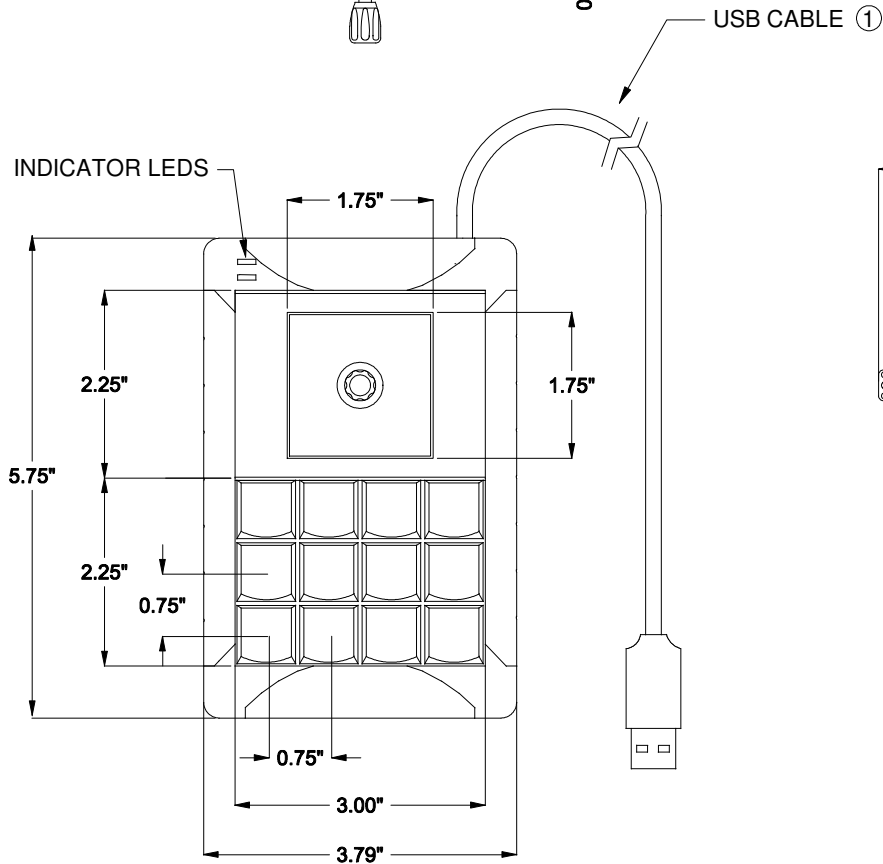


- ① LOA = 54"
- ② INCLUDES TWO REMOVABLE FEET



			<h1 style="margin: 0;">PI ENGINEERING</h1> <small>"The No Slogan Company"</small>	101 INNOVATION PARKWAY WILLIAMSTON, MI 48895 U.S.A. PH# 1-517-655-5523 WWW.PIENGINEERING.COM	DWG BY M.L.R. APPR BY DATE 29 Jul 2013
			TOLERANCES UNLESS OTHERWISE SPECIFIED X.XX = ± 0.010 X.XXX = ± 0.005	THIS DRAWING AND THE INFORMATION CONTAINED ARE THE PROPERTY OF PI ENGINEERING AND IT IS NOT TO BE REPRODUCED, COPIED OR USED IN ANY WAY DETRIMENTAL TO THE INTEREST OF PI ENGINEERING	SCALE: NTS SIZE: A4
REV	DESCRIPTION	DATE			JOB NO.: CUSTOMER: PRODUCT: XK-12 Joy Stick TITLE: PRODUCT DETAIL DRAWING